



ICE-Trade sro

International Conveyor Equipment & Trading

Pila - Razcestie 9A
SK - 900 89 Casta, Slovakia

Tel. + 421 948 222 891

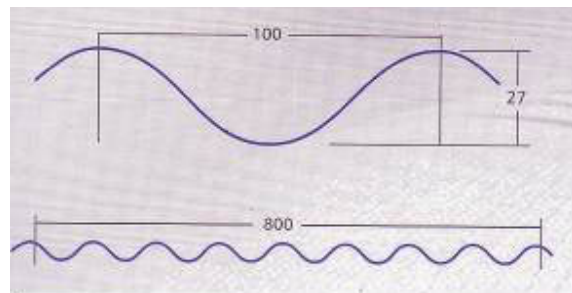
info@ice-trade.com

www.ice-trade.com

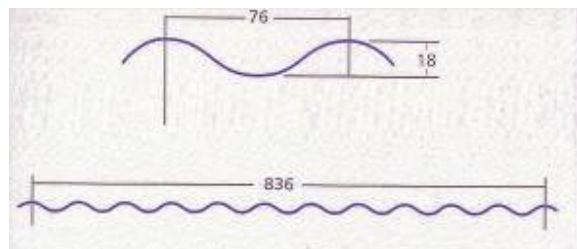
ICE-Trade Steel Conveyor Covers

Profiles

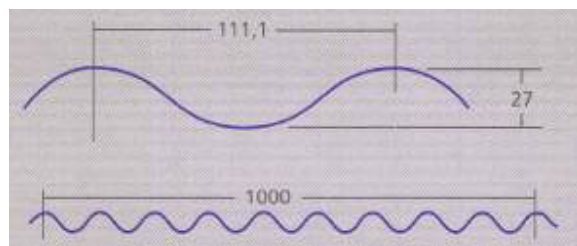
Standard profile 27/100/0,80



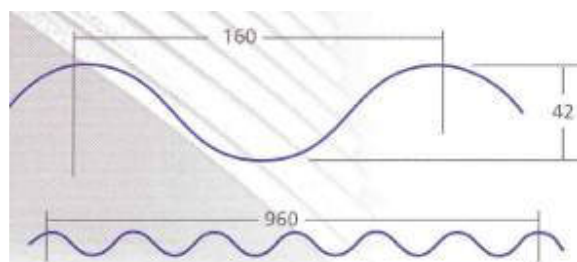
Export profile 18/76/0,75



Jumbo profile 27/111



Special profile 42/160

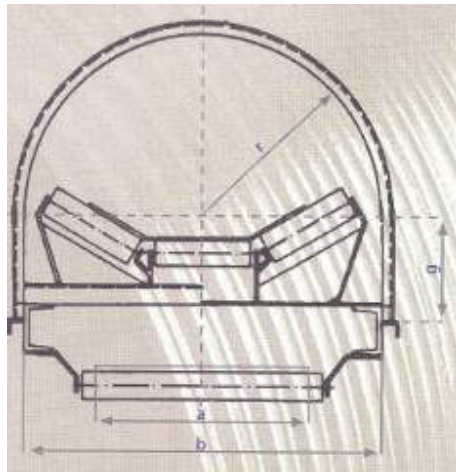




ICE-Trade sro
International Conveyor Equipment & Trading

Tel. + 421 948 222 891
info@ice-trade.com
www.ice-trade.com

Standard Covers dimensions



Cover N°	Belt width a	Installation width b	Radius r	Weight approx. kg.	Straight part g
0	300	600	300	8,9	Standard 200 mm.
1	400	700	350	9,9	
2	500	800	400	10,9	
3	650	950	475	12,4	Min. 150 mm.
4	800	1150	575	14,4	
5	1000	1350	675	16,4	Max. on request.
6	1200	1600	800	18,9	
7	1400	1800	900	20,9	Also available without
8	1600	2050	1025	22,9	
9	1800	2250	1125	25,0	
10	2000	2500	1250	27,5	

All sizes in mm. Other dimensions on request available.

Standard covers are produced with the profile 27 / 100 / 0,80 mm., useful length 800 mm.

The export profile 18 / 76 / 0,75 mm. has an useful length of 836 or 1064 mm.

Jumbo profile, exclusive profile 27 / 111 with a useful length of 1000 mm. which makes the axle distance = the number of covers.

The special profile 42 / 160 is conceived for the big Jumbo Covers, till 4,5 m. radius, rolled, useful length 960 mm.



ICE-Trade sro

International Conveyor Equipment & Trading

Tel. + 421 948 222 891

info@ice-trade.com

www.ice-trade.com

Standard Cover



Materials:

- Quality steel, hot galvanized
- Aluminum
- Stainless steel
- Hard PVC. See page .

Finish:

- Hot galvanized, both sides
- Aluzink
- Powder coated in all RAL colors

Advantages:

- No under construction needed
- Inflammable
- Unbreakable
- No maintenance needed, for years
- Very solid
- Easy to recycle
- Environment friendly
- Cost effective



ICE-Trade sro

International Conveyor Equipment & Trading

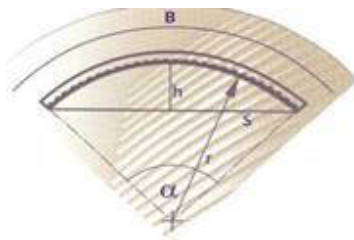
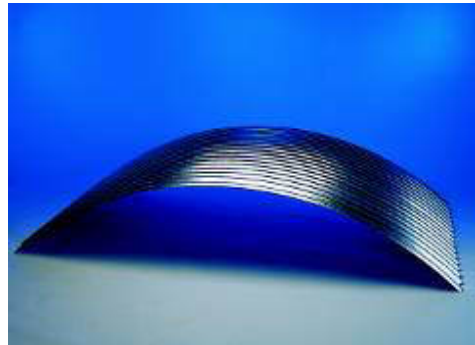
Tel. + 421 948 222 891

info@ice-trade.com

www.ice-trade.com

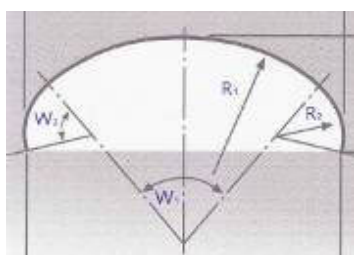
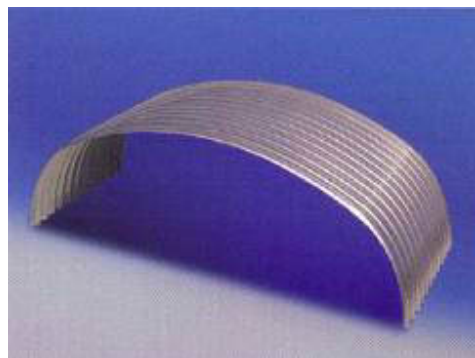
Special Covers

Top Cover



The sizes width, height and the length are necessary for us, to be able to make a quotation. Top Covers are fixed with L-bolts.

NEW ! The Bow Cover



The low height makes this cover ideal for conveyors with structures above the installation. The sizes width, height, $R1+2 / W1+2$ and the length are necessary for us, to be able to make a quotation.



ICE-Trade sro

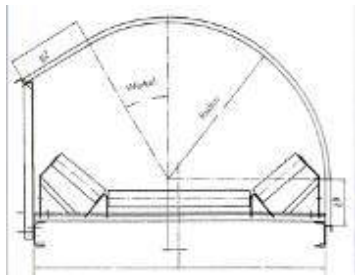
International Conveyor Equipment & Trading

Tel. + 421 948 222 891

info@ice-trade.com

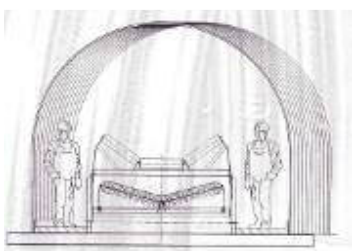
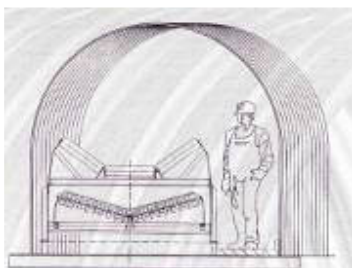
www.ice-trade.com

Segment Cover



For this cover the sizes G1+2, the angle & radius are needed for production.

JUMBO COVER



On request, static calculation can be made. The max. radius is 4,5 m. rolled.



ICE-Trade sro

International Conveyor Equipment & Trading

Tel. + 421 948 222 891

info@ice-trade.com

www.ice-trade.com

Inspection Covers

Sliding Covers (European Patent)



Hinged inspection Covers



Removable Cover





ICE-Trade sro
International Conveyor Equipment & Trading

Tel. + 421 948 222 891
info@ice-trade.com
www.ice-trade.com

Door Inspection Cover

Open



Closed



Open Cover



Hinged inspection Cover 2





ICE-Trade sro

International Conveyor Equipment & Trading

Tel. + 421 948 222 891

info@ice-trade.com

www.ice-trade.com

NEW ! LOOP-Cover



For regular inspection: at both sides of the inspection-cover solid handles are fixed. The cover is fixed with short tensioners, easy to be removed.

We advice to install all the covers :
up - down - up - etc. to easily remove the covers for any need. - _ - _ - _ -

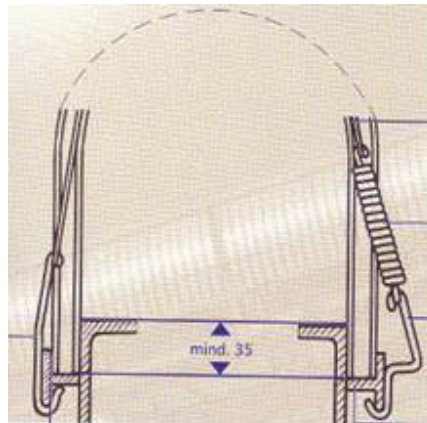
Ventilation Cover



Cover Fixing Systems

Strap type K

Hook →



← Stainless steel strap

← Spring

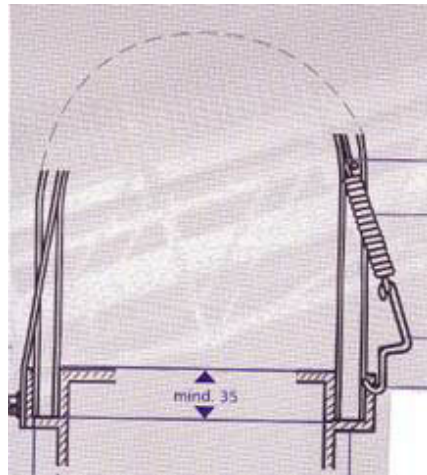
← Hook handle

← Hole \varnothing 9 mm. as high as possible

← T-profile, 30 mm. width

Strap type SK

M6 x 20 with →
bolt & washer



← Stainless steel strap

← Spring

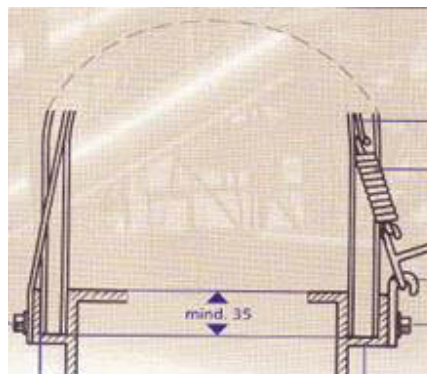
← Hook handle

← Hole \varnothing 9 mm.

← L-profile, 30 mm.

Strap type S

M 6 x 20 with bolt →
& washer



← Stainless steel strap

← Spring

← Tensioner

← Hook

← M8 x 20 with bolt & washer

← Support L-profile, 30 mm.



ICE-Trade sro

International Conveyor Equipment & Trading

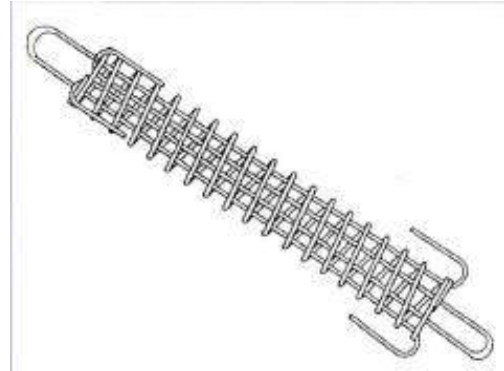
Tel. + 421 948 222 891

info@ice-trade.com

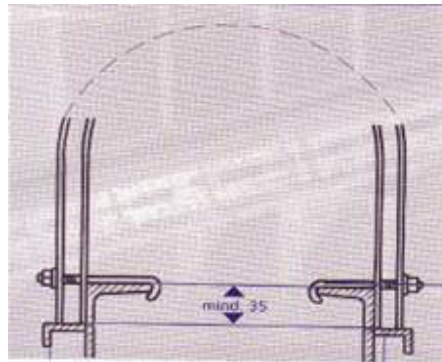
www.ice-trade.com

NEW ! KS Spring (pat. pending)

With the KS strap, including the KS spring, in stainless steel, the covers until cover n° 10 can be fixed with only 1 strap per standard cover.



Fastener Type H



← Hook-bolt M8 with bolt & washer

← L-profile

Fastener Type L

M8 storm bolt with bolt & washer →
U-profile from installation →
For the Top Cover



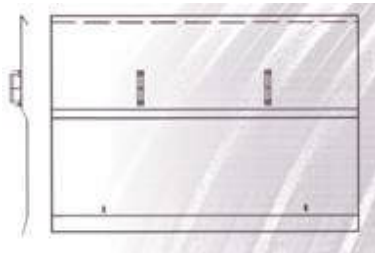


ICE-Trade sro
International Conveyor Equipment & Trading

Tel. + 421 948 222 891
info@ice-trade.com
www.ice-trade.com

Specials

Under-Covers



The Under-Covers are available in :
- bent steel sheet
- rolled trapeze sheet

They come with :
- handles for easy handling
- holes for easy installation



NEW ! Acoustic Covers

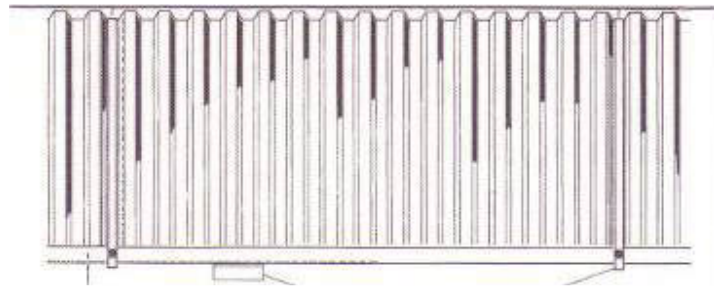
Single cover with noise reducing material inside

Double cover with
- inside perforated cover
- noise reducing material in between
- standard covered at the outside



ICE-Trade Hard PVC Covers

Greca Profile 70/18

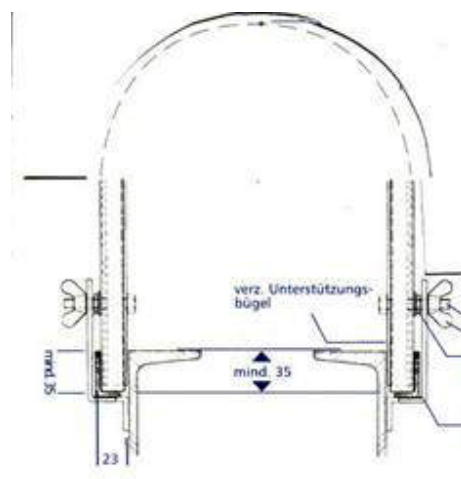


This cover is supported by a T-profile, 20 mm. wide, over the whole length.

Cover dimensions

Cover n°	Belt width	Installation width	Radius	Weight / cover	Needed fasteners / cover	Weight per fastener / cover
1	400	700	350	3,6	1 strap	0,5
2	500	800	400	4,0	1 strap	0,5
3	650	950	475	4,5	1 strap	0,5
4	800	1150	575	5,3	2 straps	1,0
5	1000	1350	675	6,0	2 bows	7,4
6	1200	1600	800	7,0	2 bows	7,6
7	1400	1800	900	7,7	2 bows	7,7
Straight is 200 mm. All dimensions in mm. and kg.						

Fixing the hard PVC Covers



← Bow 20x20x2 mm. galvanized

← Bolt M6 x 45 with wing nut

← Nut & washer

← Flat steel holder



ICE-Trade sro

International Conveyor Equipment & Trading

Tel. + 421 948 222 891

info@ice-trade.com

www.ice-trade.com

Characteristics Hard PVC Covers

- Uninflammable according DIN 4102
- Burst resistant acc. DIN 7748
- Chemical resistant acc. DIN 16929
- Maintenance free
- Low weight
- Easy to install

Fixing of the Hard PVC Covers

- Cover 1 till 4 can be fixed with stainless steel straps; N° 4 with 2 pieces
- Covers 5 till 7 are fixed with a bow, steel profile 20 x 20 x 2 mm., which are hot galvanized.
- All hard PVC covers must be supported by a steel profile, 20 mm. wide, over the whole length of the installation.

Applications



← Standard Covers from seawater resistant aluminum



LOOP-Covers →



← Truck leaves the plant with 300 JUMBO COVERS

For further information, please do not hesitate to contact us.